

Technical Guide

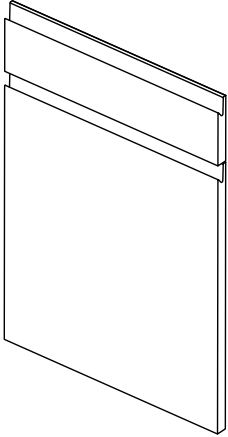


LUCENTE

Gloss/Matt/Paint to Order/Primed

Please Note: The information shown in this literature is accurate as at the date of print/release shown on such information but it may be subject to changes after such date. Please therefore ensure that you are viewing the most current product available and check with us if you have any doubt about the suitability of the product or accuracy of the information shown.

LUCENTE PRODUCT OVERVIEW

|  | Product Information | |
|--|---|--|
| | <p>Product Description: Handleless door with 'J' shaped groove.</p> <p>Product Colour: 6 gloss, 6 matt, paint to order & primed.</p> <p>Product Finish: Gloss/matt/matt hand painted/primed.</p> <p>Base Material: MDF</p> <p>Base Thickness: 22mm</p> <p>Covering Material: <u>Gloss & Matt colours:</u> Polyurethane paint over a polyester primer. <u>Paint to order:</u> matt paint. <u>Primed:</u> sanded melamine paper, ready to paint, edge has sanded base, ready to paint.</p> <p>Edging: Edging matches face. Primed has sanded base, ready to paint.</p> <p>Reverse: <u>Gloss & Matt colours:</u> Melamine paper, matt finish. Colour matches face/complementary colour. <u>Paint to order & Primed:</u> Matches face.</p> <p>Product Dimension: Standard door and drawer range.</p> | |
| <p>Additional Information</p> <p>Accessories: painted/primed.</p> <p>Plinths: paper wrapped and painted/primed on face and long edges.</p> <p>Glazed doors: only available in stock colours (not paint to order and primed).</p> <p>Made to order sizes: available in Lucente, please contact the made to measure department for further information.</p> | | |

IMPORTANT PLEASE NOTE:

While we endeavour to keep the information up to date and correct we do not make any representations or warranties of any kind, express or implied, about the completeness, accuracy, reliability and suitability of the doors and products that appear in this literature.

We aim to showcase as many different items as possible in our kitchen images and therefore some products have been installed and photographed purely to show as many of our product features as possible and they should not be taken as an example of how they are intended to be installed in real kitchen installations.

It is the responsibility of the installer to check the corresponding manufacturer's installation information and the manufacturer's technical information to ensure this is up to date and to ensure that the products can be fitted in a way they are displayed and the products are suitable for your requirements.

We specifically exclude any liability in this regard unless the products are fitted in accordance with the specifications we supply and the manufacturer's installation recommendations are used in a way recommended by the manufacturer and in accordance with the manufacturer's technical information provided.

The information shown in this literature is accurate as at the date of release but it may be subject to changes after such date. Please therefore ensure that you are viewing the most current product information available and check with us if you have any doubt about the suitability of the product or accuracy of the information shown.

We are proud that all our products that we sell are covered by a statutory warranty but this does not stop all our products naturally ageing overtime. **As a result of this natural ageing process we are therefore unable to provide an identical colour finish to the existing products you have purchased from us with any products that we supply you from the same product line.** In such event our liability will be limited to the purchase price paid for the product you are seeking to replace.

Due to the limitations on photographic reproduction, colours may differ slightly from the actual products shown.

Please note that board matches listed with the doors are a suggestion only and better board matches may be available on the market. It is up to the individual to decide on its suitability.

LUCENTE GLOSS COLOURS



GLOSS ANTHRACITE

Prefix code: 218

Suggested MFC Board Match:

Egger U961/Kronospan 0164/RAL 7016



GLOSS CASHMERE

Prefix code: 219

Suggested MFC Board Match:

Egger U702/Kronospan 5981



GLOSS CREAM

Prefix code: 48

Suggested MFC Board Match:

Egger U104/Kronospan 0514/RAL 1013



GLOSS DUST GREY

Prefix code: 209

Suggested MFC Board Match:

Egger U732/Kronospan 0171/RAL 7037



GLOSS LIGHT GREY

Prefix code: 51

Suggested MFC Board Match:

Egger U708/Kronospan 0191/RAL 7047



GLOSS WHITE

Prefix code: 47

Suggested MFC Board Match:

Egger W1000/Kronospan 8685/RAL 9016

LUCENTE MATT COLOURS



MATT ANTHRACITE

Prefix code: 332

Suggested MFC Board Match:

Egger U961/Kronospan 0164/RAL 7016



MATT CASHMERE

Prefix code: 334

Suggested MFC Board Match:

Egger U702/Kronospan 5981



MATT DUST GREY

Prefix code: 336

Suggested MFC Board Match:

Egger U732/Kronospan 0171/RAL 7037



MATT INDIGO

Prefix code: 337

Suggested MFC Board Match:

Egger U599/RAL 5004



MATT LIGHT GREY

Prefix code: 331

Suggested MFC Board Match:

Egger U708/Kronospan 0191/RAL 7047



MATT WHITE

Prefix code: 330

Suggested MFC Board Match:

Egger W1000/Kronospan 8685/RAL 9016

LUCENTE PAINT TO ORDER/PRIMED

PAINT TO ORDER

Prefix code: 72

23 standard matt colours (shown below) & bespoke option available with our colour match service.



Paint to Order Board Matches

Egger, Kronospan and RAL colour references for boards matching our door colours.

Please note: The board matches listed are suggestions only and better board matches may be available on the market. It is up to the individual to decide on suitability.

| Colour | Egger | Kronospan | RAL |
|---------------|--------|-----------|------|
| Cashmere | U702 | 5981 | - |
| Chalkstone | - | 0564 | - |
| Dakar | U717 | - | 7032 |
| Denim | U540 | - | - |
| Dust Grey | U732 | 0171 | 7037 |
| Fjord | U636 | K097 | - |
| French Grey | - | - | - |
| Indigo Blue | U599 | - | 5004 |
| Lava | U741 | 6299 | - |
| Light Grey | U708 | 0191 | 7047 |
| Midnight Blue | (U599) | - | - |
| Mussel | U100 | 5982 | - |
| Pebble Grey | U201 | - | 7044 |
| Porcelain | W1200 | 0101 | 9016 |
| Onyx Grey | U960 | 0171 | 7012 |
| Sage Green | - | - | - |
| Silver Grey | U765 | 0197 | - |
| Smoke Blue | U507 | - | 5014 |
| Stone Grey | U727 | K096 | - |
| Super White | W1100 | 8681 | 9003 |
| Taupe Grey | U750 | 5981 | 7044 |
| White | W908 | 0101 | 9016 |
| White Grey | U775 | - | - |

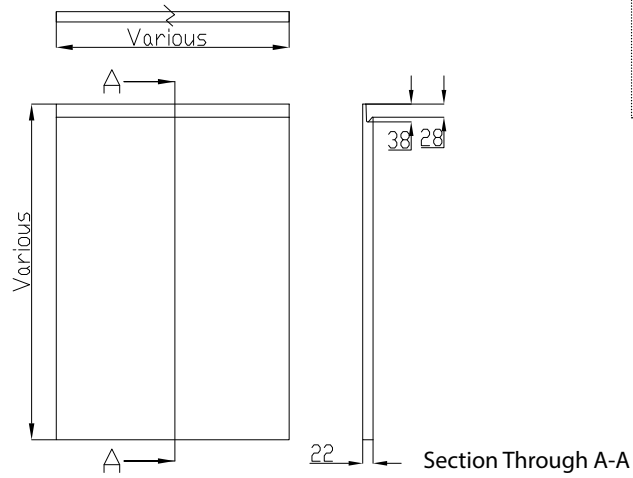
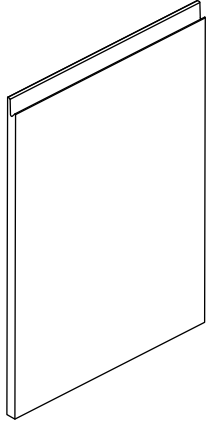
PRIMED

Prefix code: 37

Paint your own doors with our primed, ready to paint option.

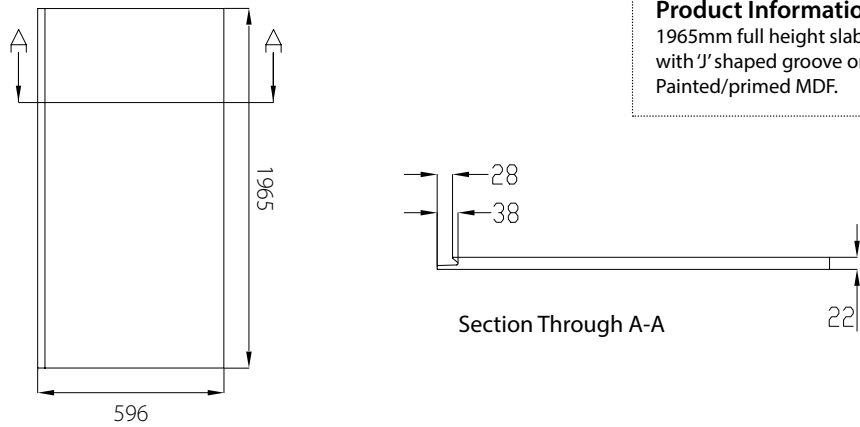
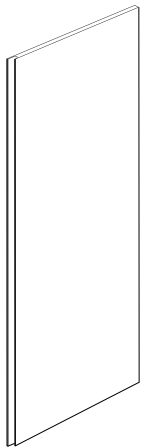
LUCENTE PRODUCT INFORMATION

Door



Product Information
Slab door with 'J' shaped groove. Painted/primed MDF.

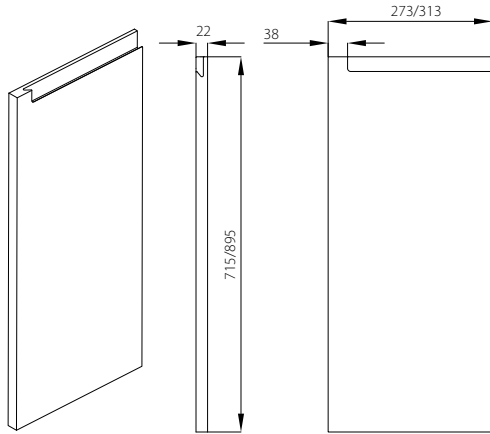
Full Height Door



Product Information
1965mm full height slab door with 'J' shaped groove on the side. Painted/primed MDF.

LUCENTE PRODUCT INFORMATION

Corner Door

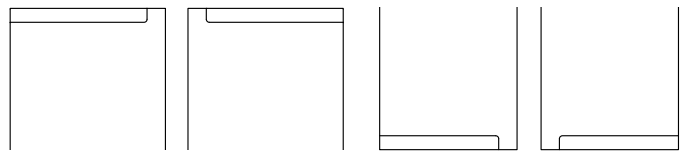


Product Information

Corner door with 'J' shaped groove, solid at one end. Painted/primed MDF. We advise that both RH & LH corner doors are purchased together.

Product Code

XXX71531R: Base Corner Door RH / XXX71531L: Base Corner Door LH
 XXX71527R1: 715mm Wall Corner RH / XXX71527L1: 715mm Wall Corner LH
 XXX89527R1: 895mm Wall Corner RH / XXX89527L1: 895mm Wall Corner LH



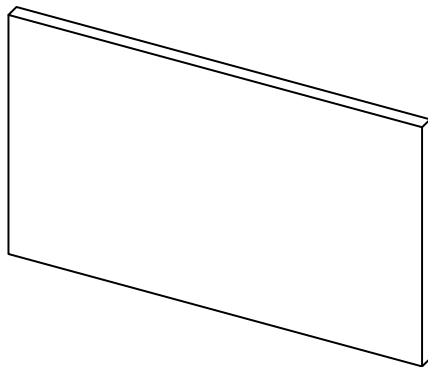
Base Door LH
313mm wide

Base Door RH
313mm wide

Wall Door LH
273mm wide

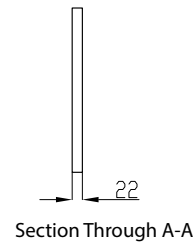
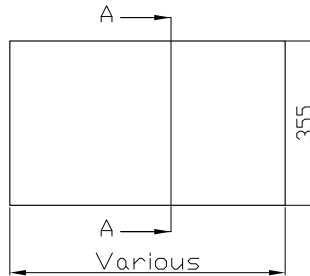
Wall Door RH
273mm wide

355mm Slab Door - for Bi-fold units

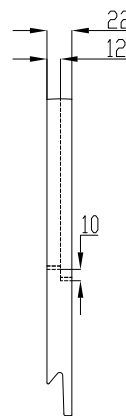
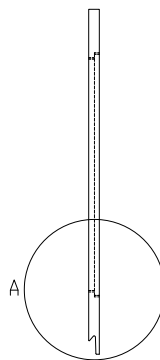
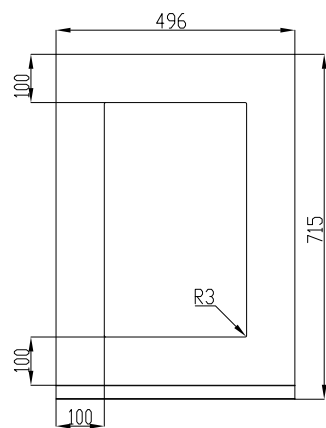
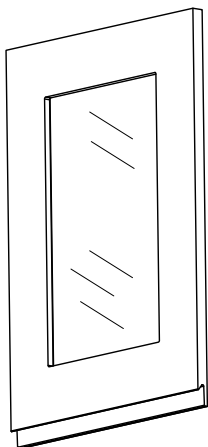


Product Information

Slab door, painted/primed MDF. 355mm slab doors are for the top door of a Bi-Fold system to allow for the fitting of the mechanism. Sizes available: 355mm x 596mm / 355 x 996mm. 110mm x 596mm oven filler is also a slab door.



Glazed Door



Detail A

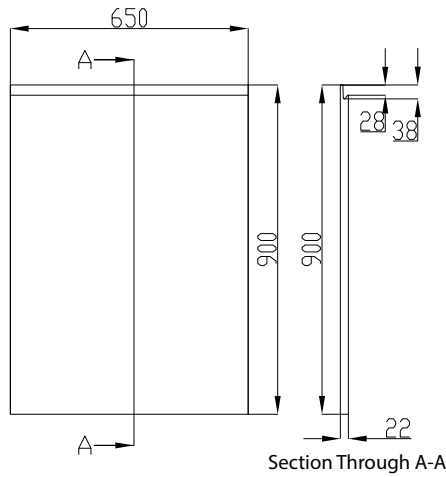
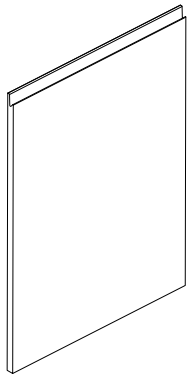
Product Information

Glazed door with 'J' shaped groove, supplied with clear glass. Painted MDF, not available in paint to order or primed.

Available in the following size:
715 x 496mm

LUCENTE PRODUCT INFORMATION

Shaped End Panel



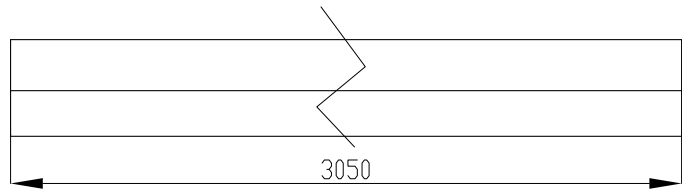
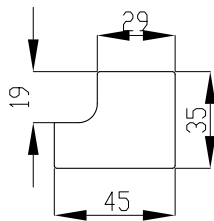
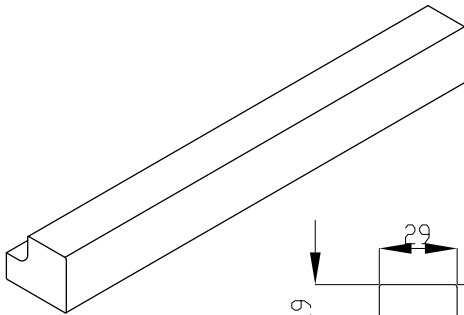
Product Information

Shaped panel with 'J' shaped groove, 900mm height.
Painted/primed MDF.
Other 'SLAB' end panels don't have the shaped 'J' groove and are slab only.

Product Code

XXXEPSHAPE900

Square End Straight Cornice / Pelmet



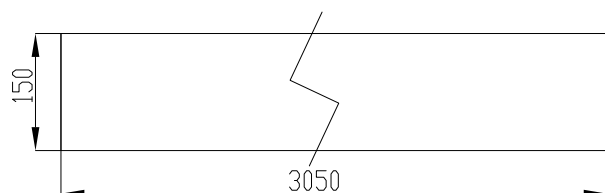
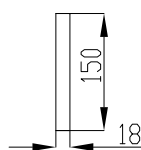
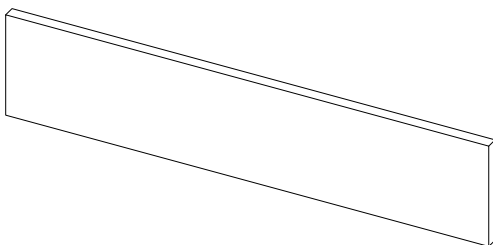
Product Information

Painted/primed MDF

Product Code

XXXCORNICESQ

Plinth



Product Information

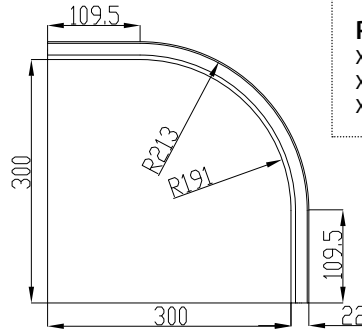
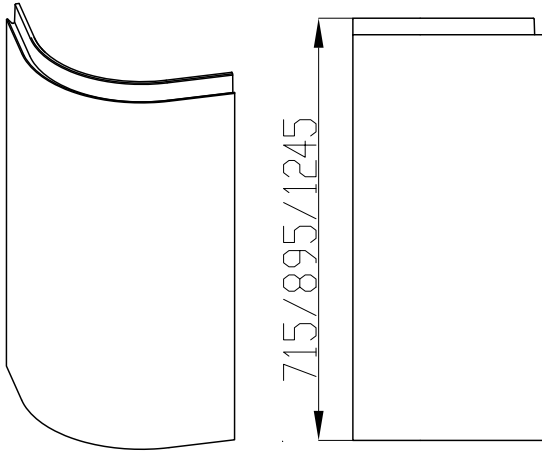
Chipboard core. Painted/primed melamine paper on face and long edges, back is matt melamine paper.

Product Code

XXXPLINTH

LUCENTE PRODUCT INFORMATION

External Curved Door



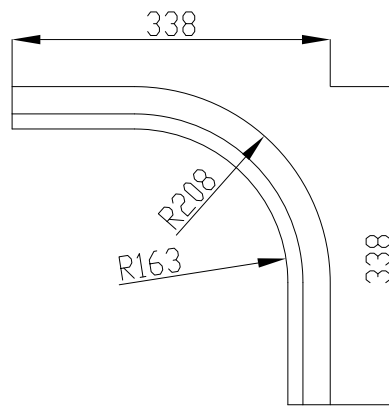
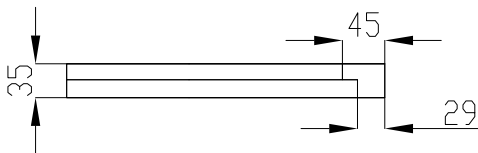
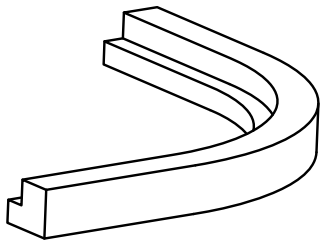
Product Information

Curved door with 'J' shaped groove.
Painted/primed MDF.
Height of door: 715/895/1245mm.

Product Code

XXXCURVE (715mm)
XXXCURVE895MM (895mm)
XXXCURVE1245MM (1245mm)

Square End Curved Cornice/Pelmet (External Curve)



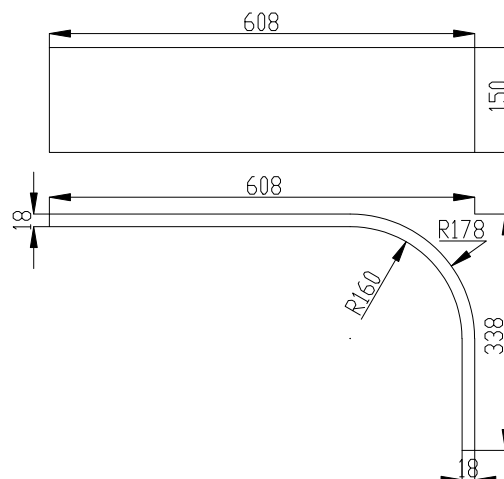
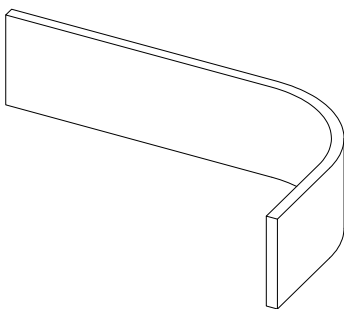
Product Information

Painted/primed MDF

Product Code

XXXCURVECORNICESQ

Curved Plinth (External Curve)



Product Information

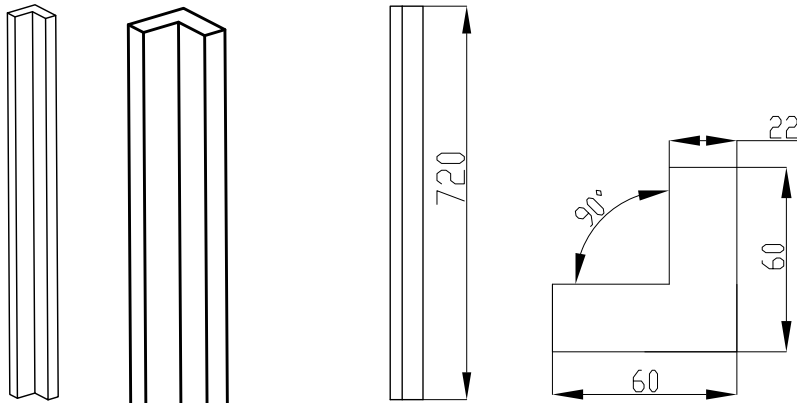
Painted/primed MDF

Product Code

XXXCURVEPLINTH

LUCENTE PRODUCT INFORMATION

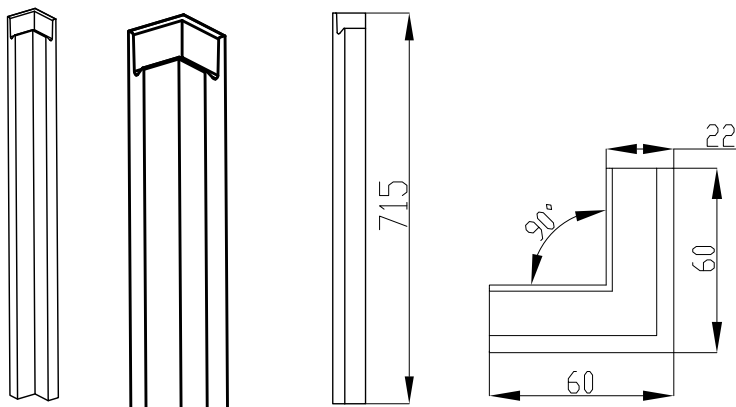
Corner Post Slab



Product Information
Internal corner post,
painted MDF, not available
in primed.

Product Code
XXXCPSLAB

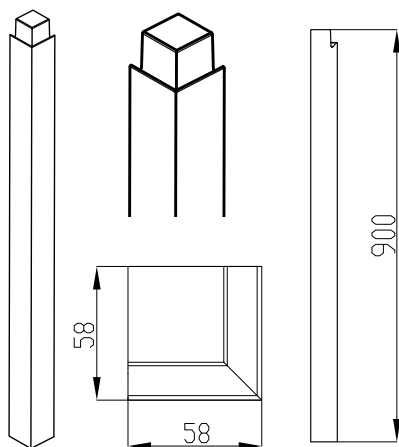
Corner Post Shaped



Product Information
Shaped internal corner post with 'J' shaped
groove, enables a bespoke look and allows
the handle detail to flow around the kitchen.
Painted MDF, not available in primed.

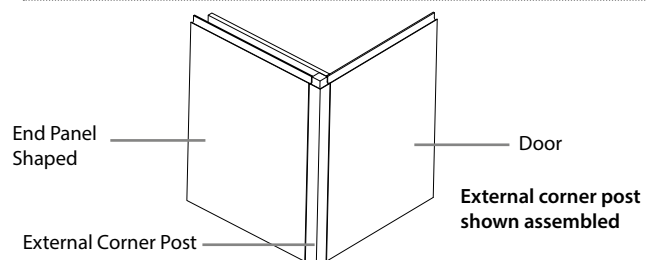
Product Code
XXXCPSHAPED

External Corner Post



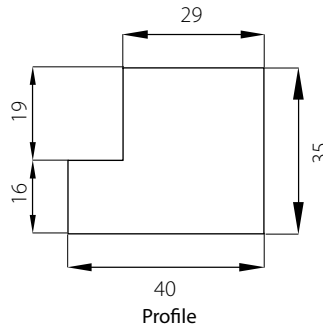
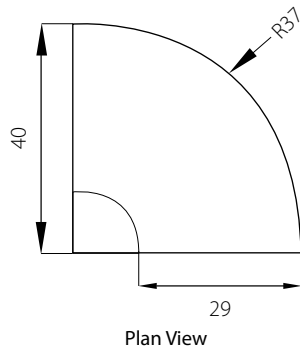
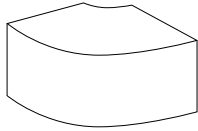
Product Information
Shaped external post with 'J' shaped groove, allows the handle detail to flow
around the kitchen. To be used with the Shaped End Panel Shaped. Painted MDF,
not available in primed. The External Corner Post is a registered design 4020869.

Product Code
XXXCPEXTERNAL



LUCENTE PRODUCT INFORMATION

Corner Block



Product Information

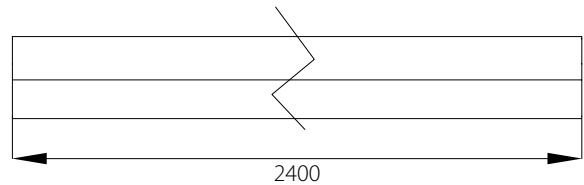
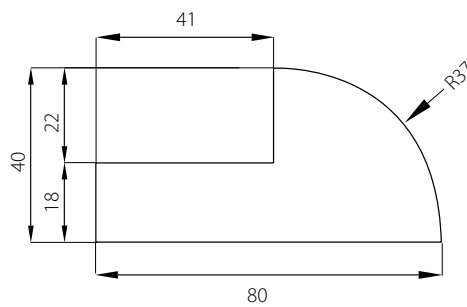
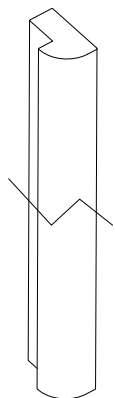
Painted MDF, not available in primed.

Product Code

XXXENDPROFILE

Please note: this corner block can be used on top of a Curved End Post. The profile is the same as the Square End Straight Cornice and can be installed next to the cornice.

Curved End Post / Pilaster



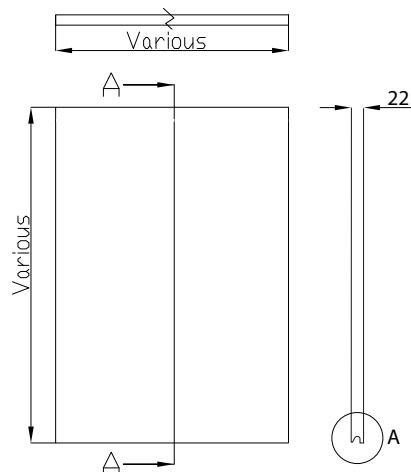
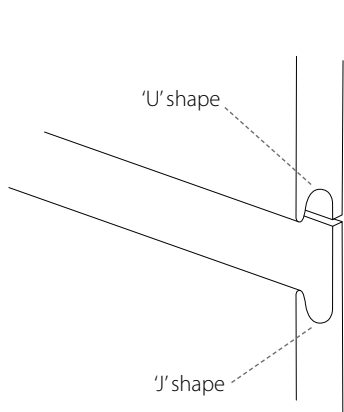
Product Information

Painted MDF, not available in primed.

Product Code

XXXENDPOST

'U' Shaped Groove Door - made to measure



Product Information

Painted, primed MDF.

Product Code

N/A - Made to measure only

